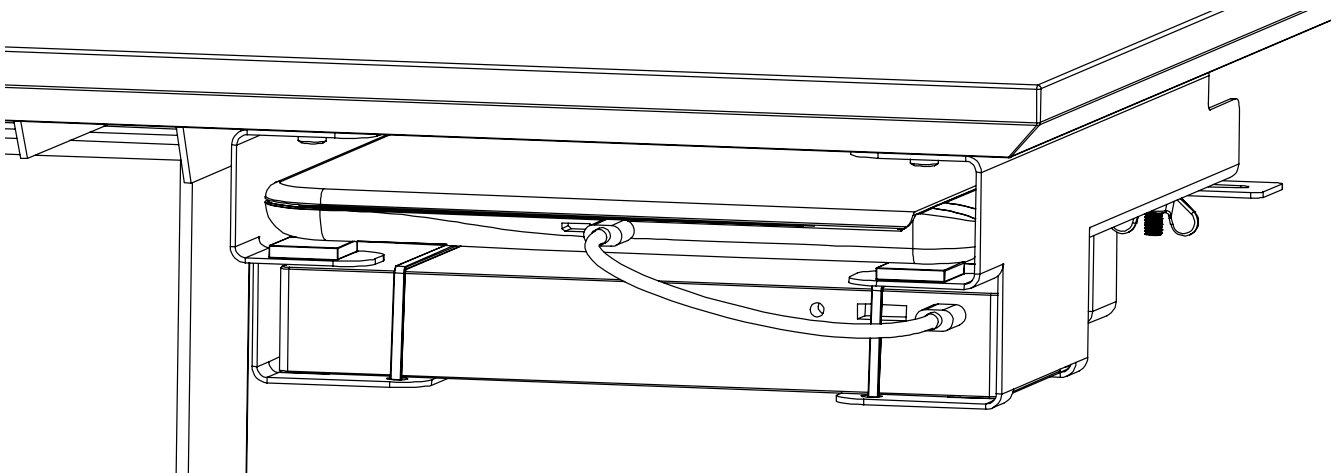
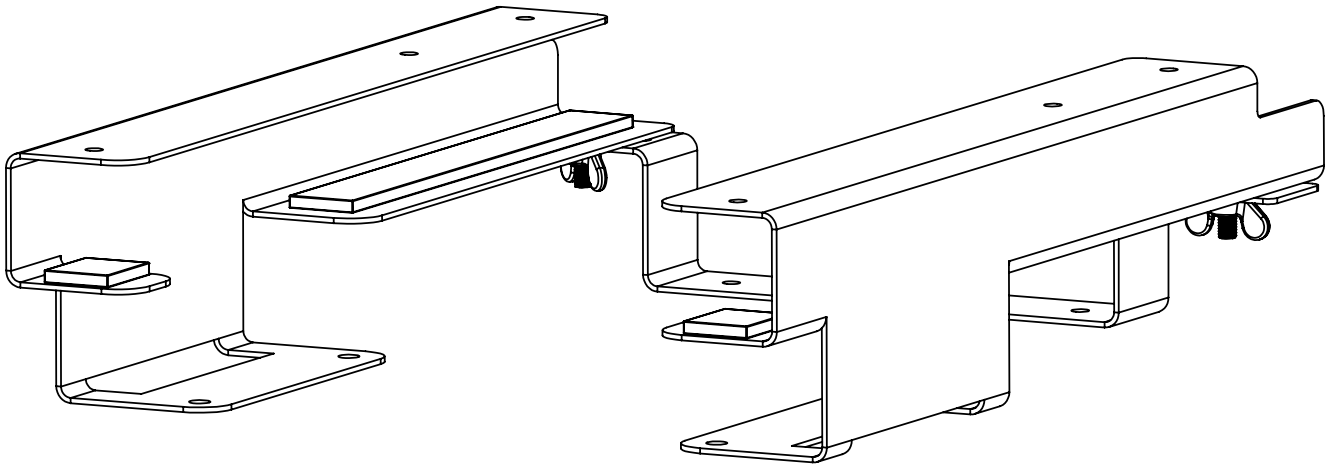
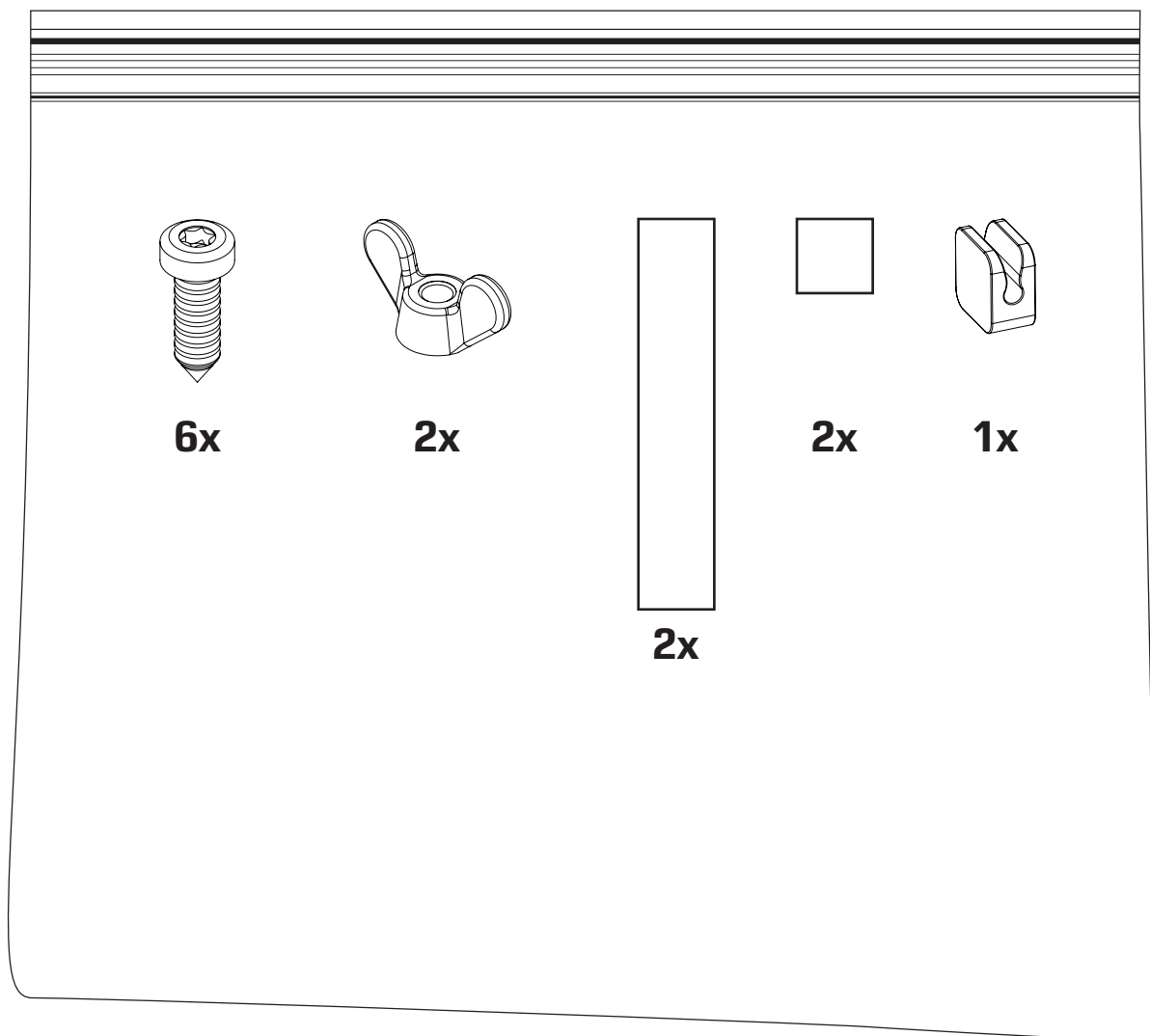


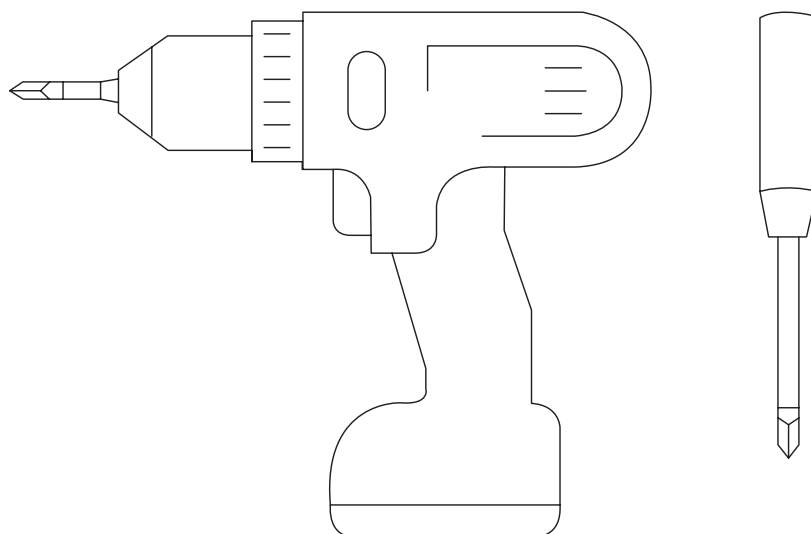
# Chamber



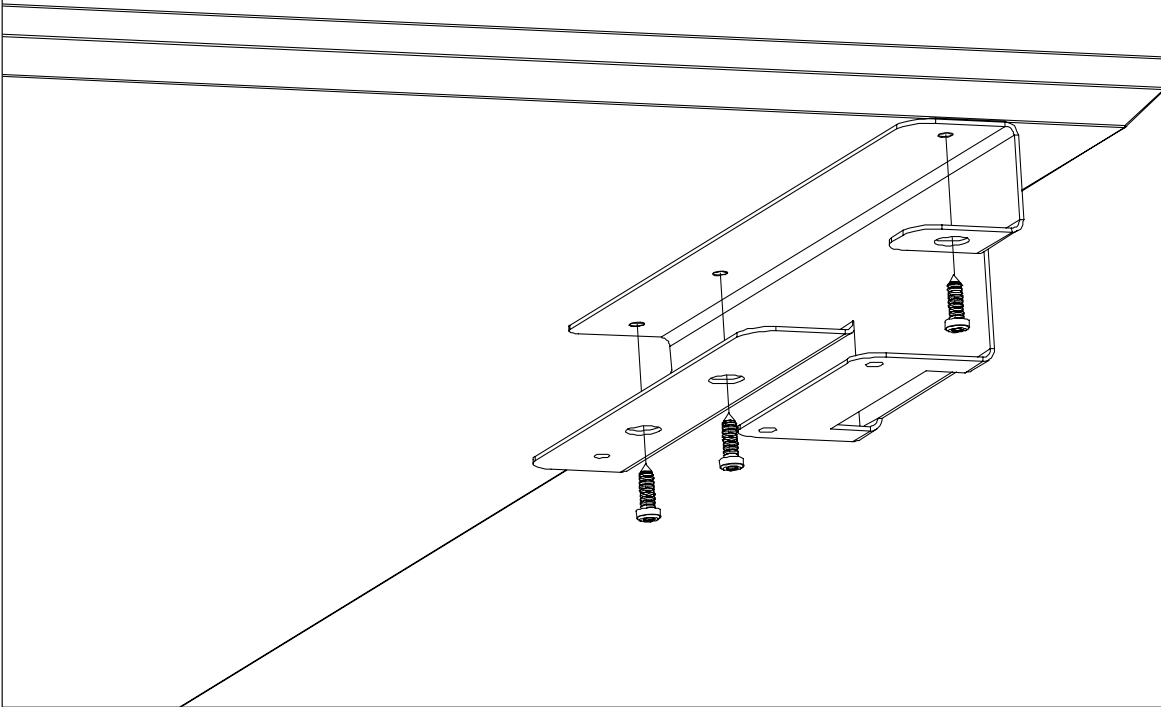
# CONTENT



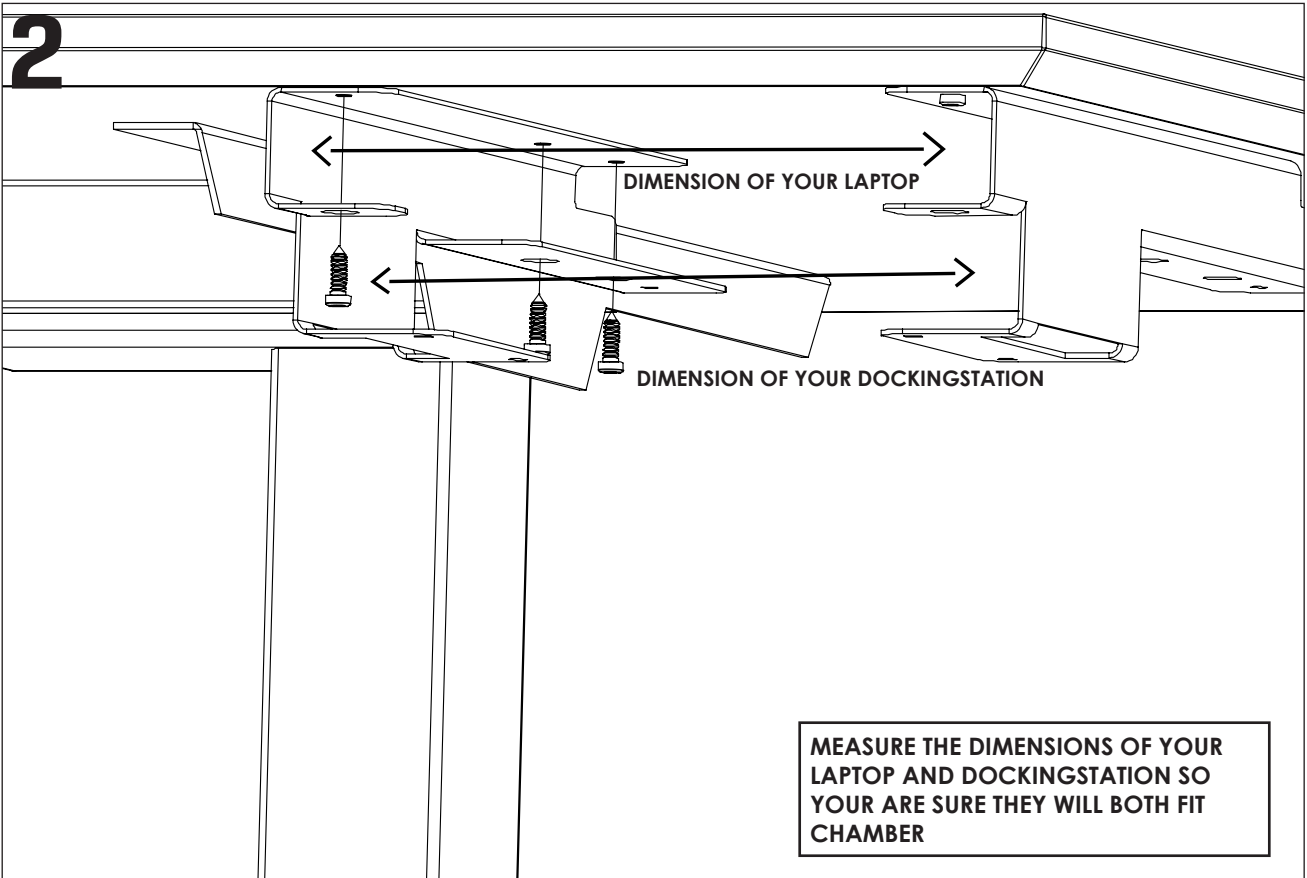
# USE



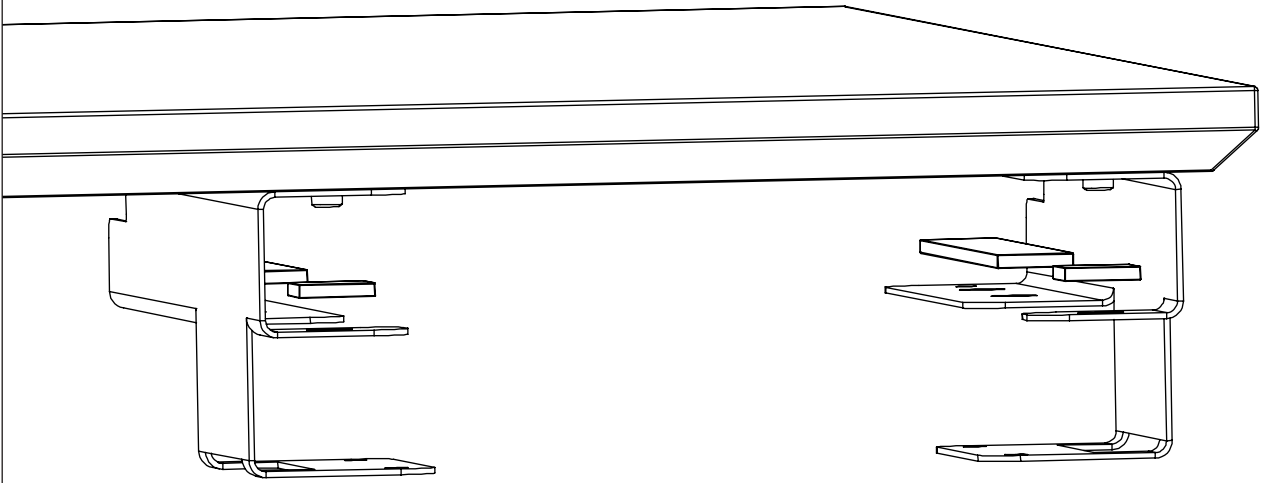
# 1



# 2

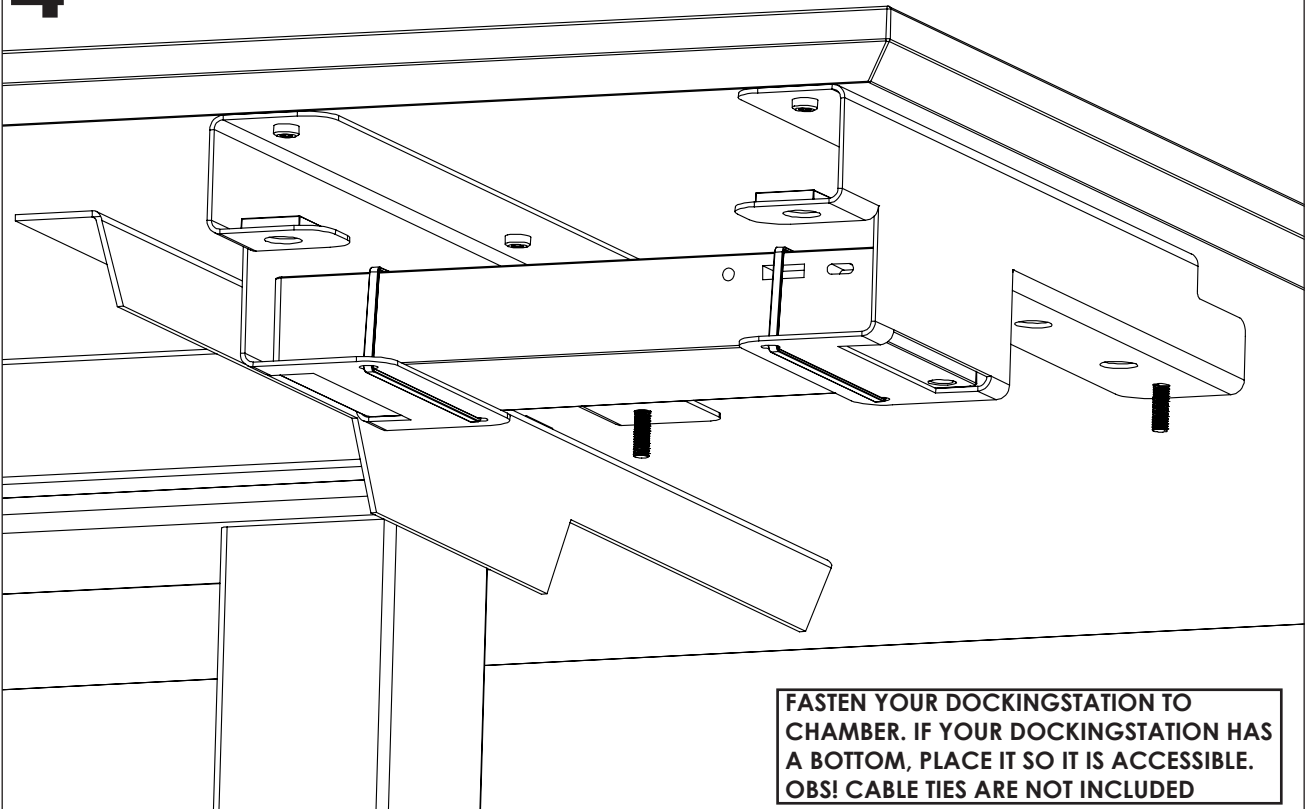


# 3



**FASTEN THE FELT TO CHAMBER AS SHOWN ABOVE**

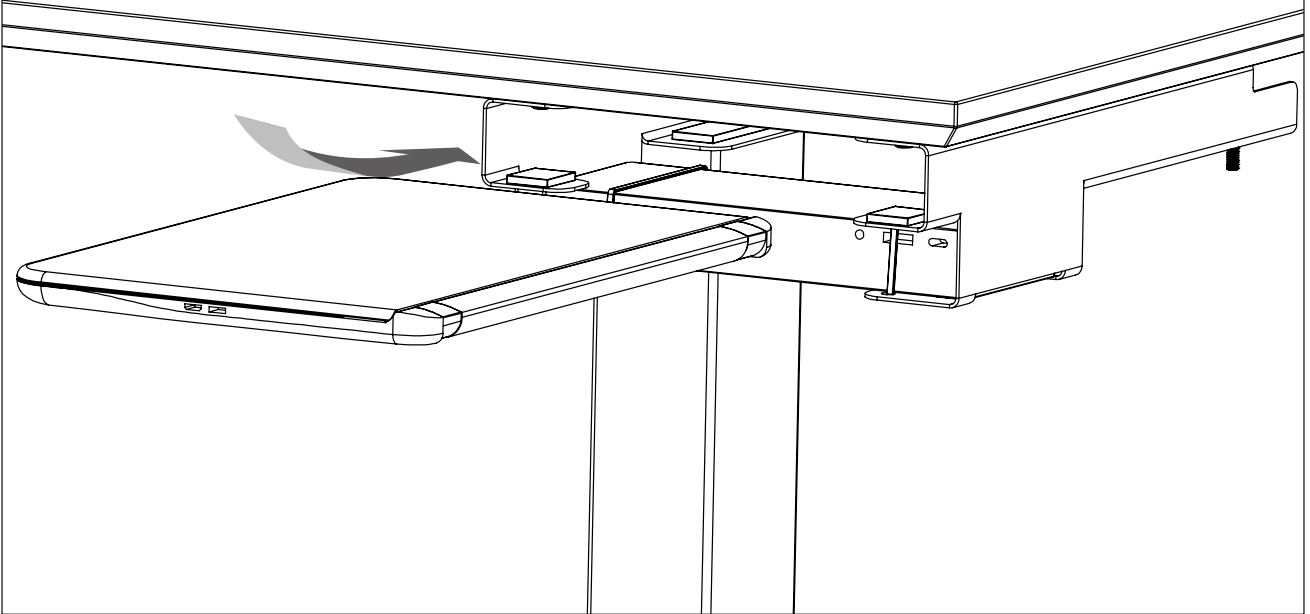
# 4



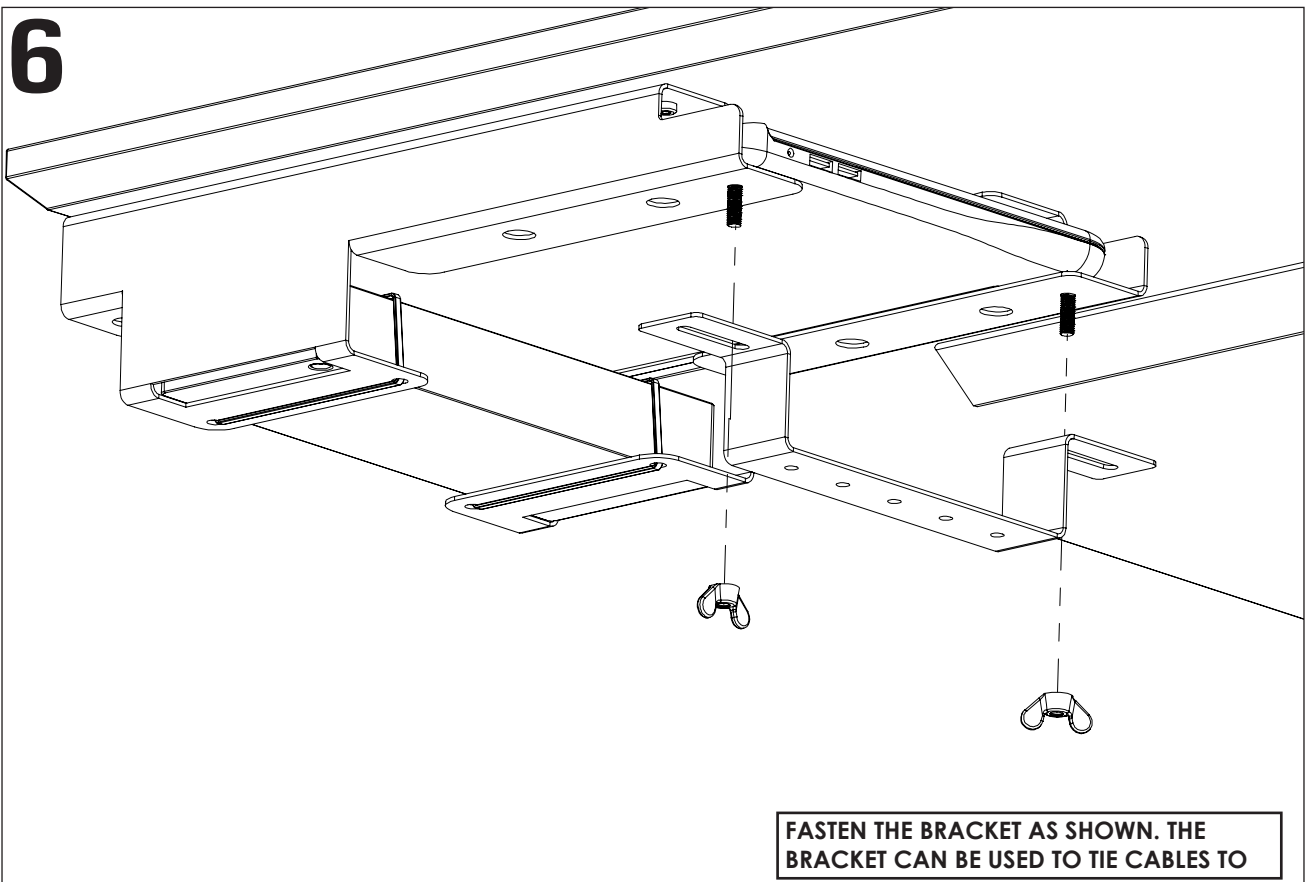
**FASTEN YOUR DOCKINGSTATION TO CHAMBER. IF YOUR DOCKINGSTATION HAS A BOTTOM, PLACE IT SO IT IS ACCESSIBLE. OBS! CABLE TIES ARE NOT INCLUDED**



# 5



# 6



FASTEN THE BRACKET AS SHOWN. THE BRACKET CAN BE USED TO TIE CABLES TO

