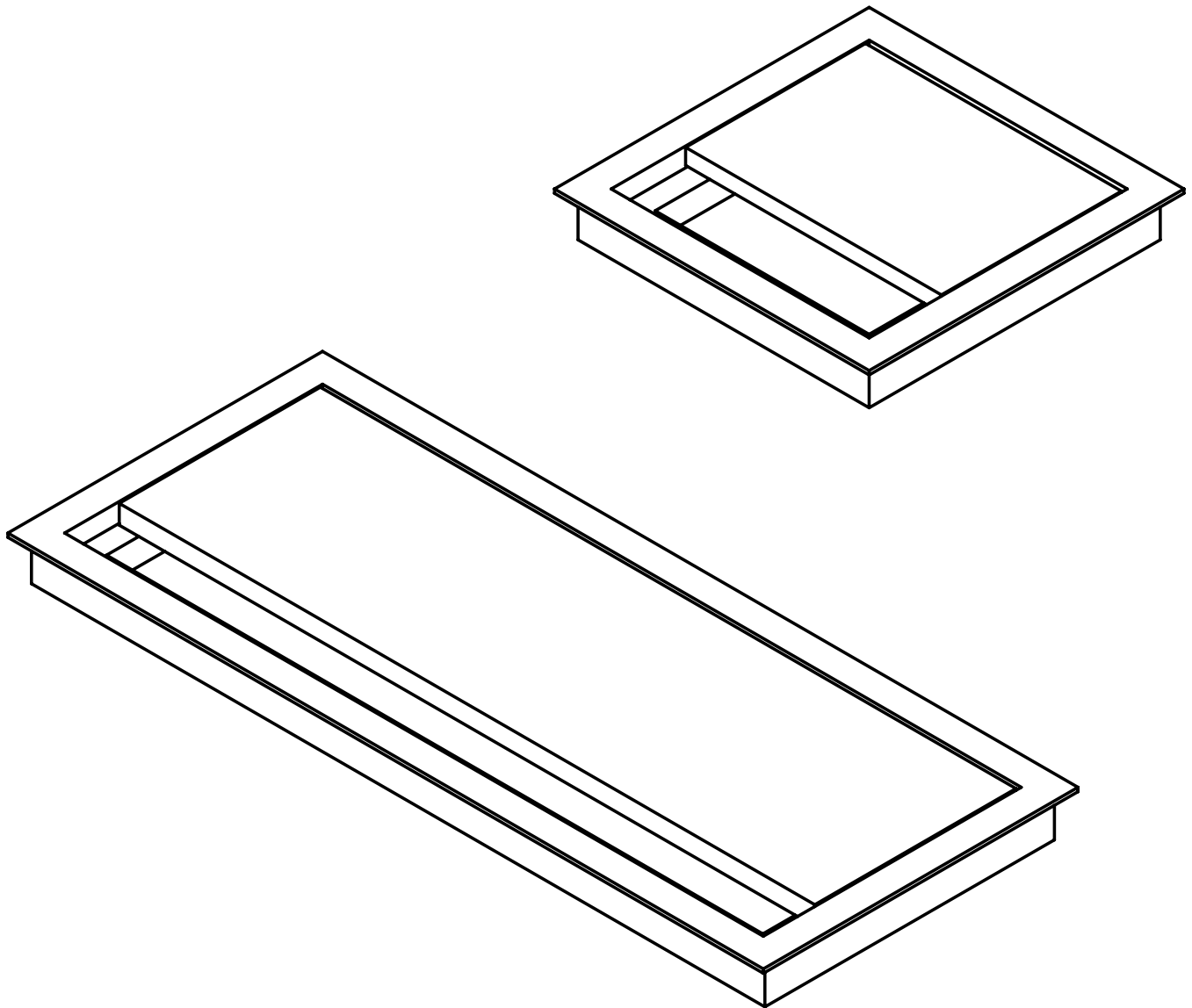
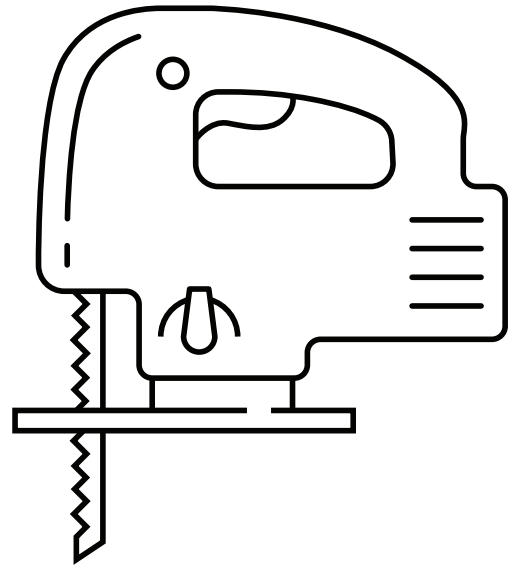
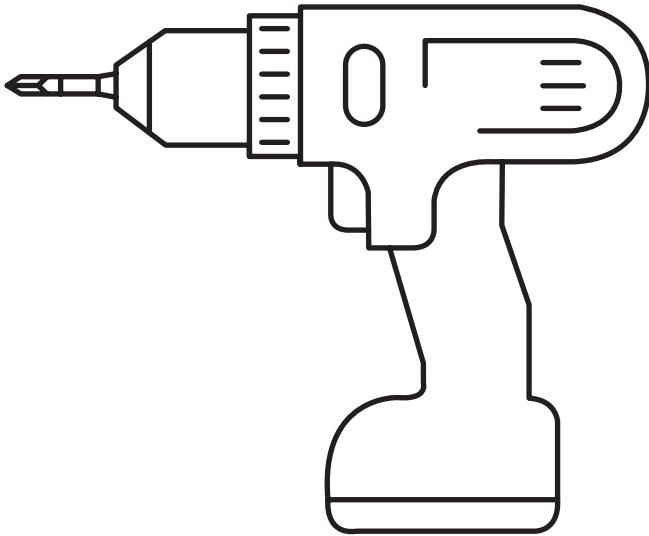


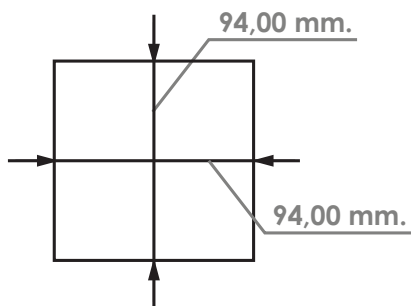
Firkantet Kabel- Gennemføring



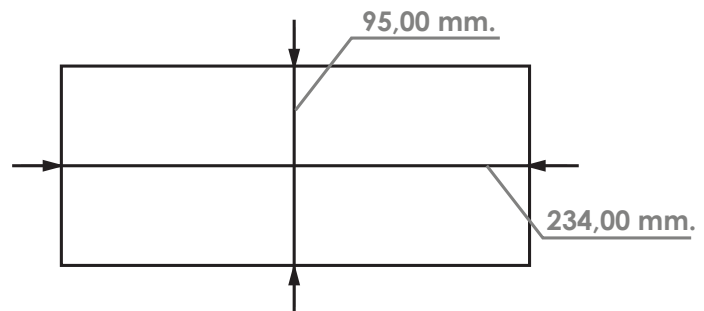
USE



HOLE DIMENSIONS



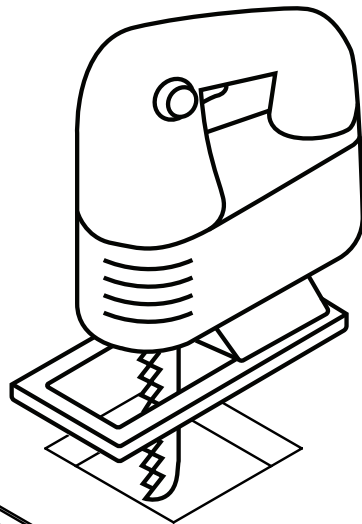
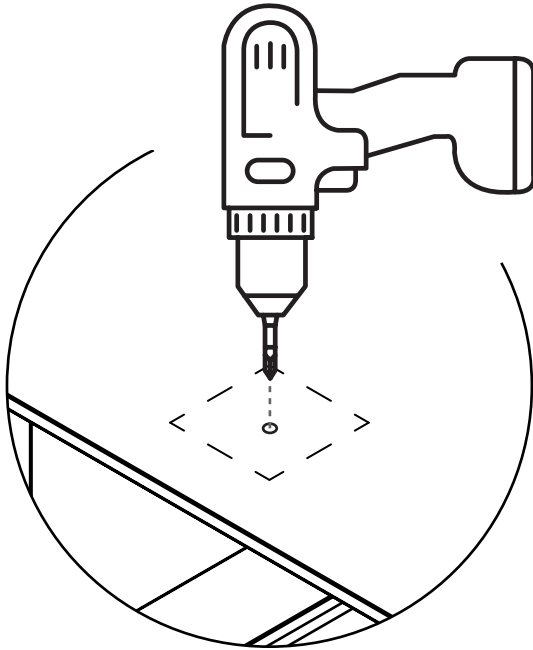
For the 100x100 mm.



For the 240x100 mm.

1

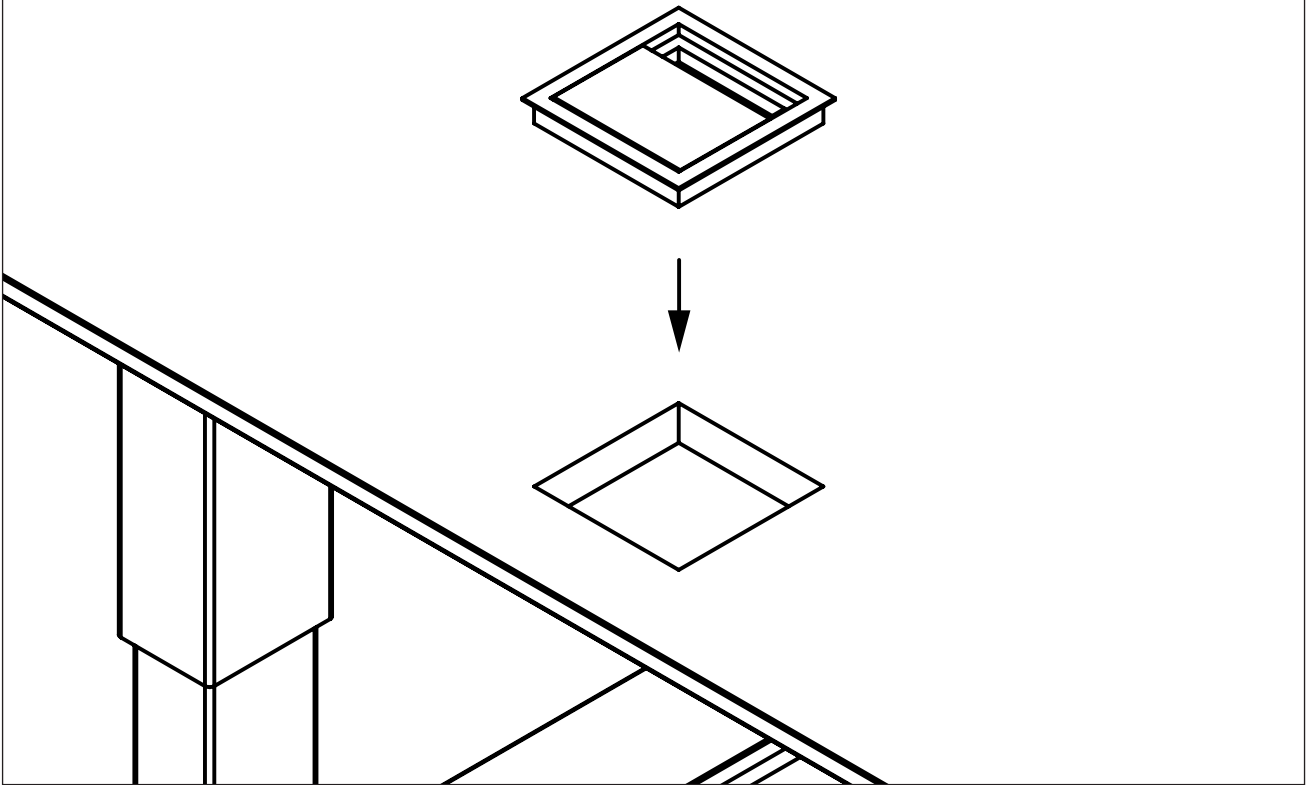
DRILL A HOLE TO CUT FROM



CUT FROM THE HOLE

2

Place into the hole



3

