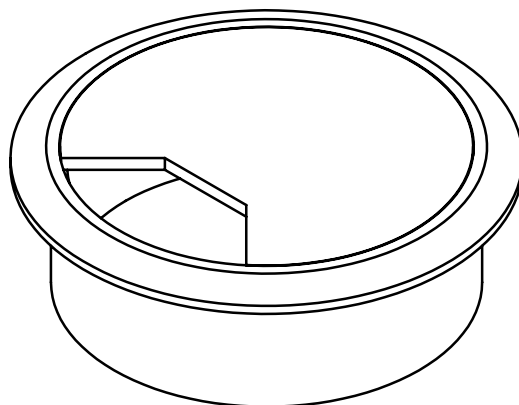
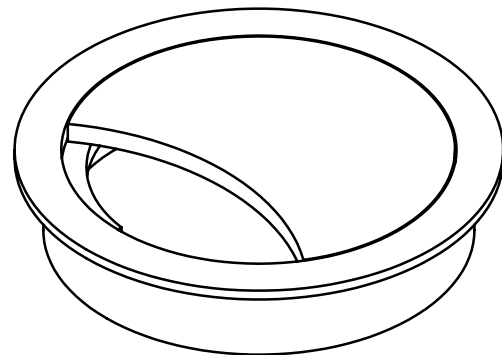
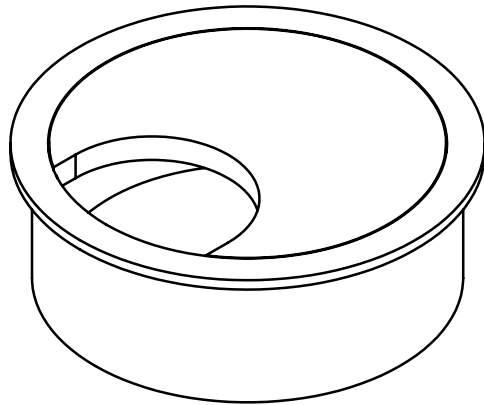
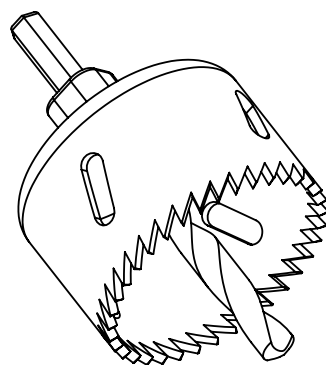
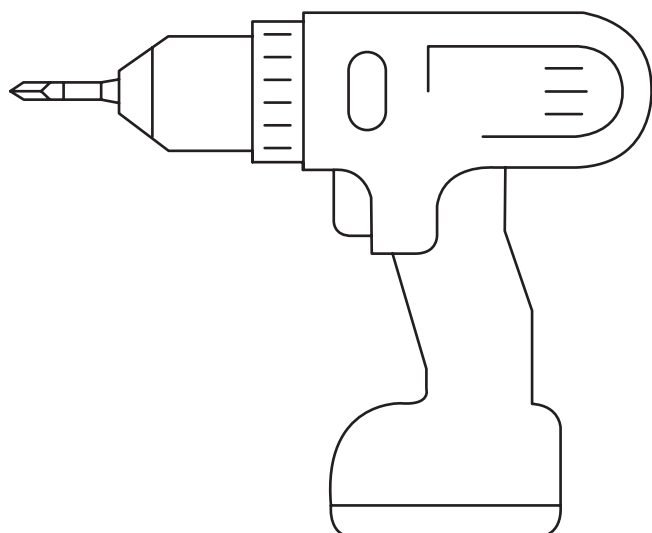


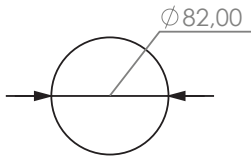
Rund Kabel- Gennemføring



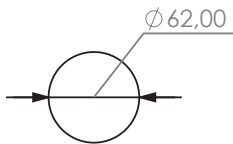
USE



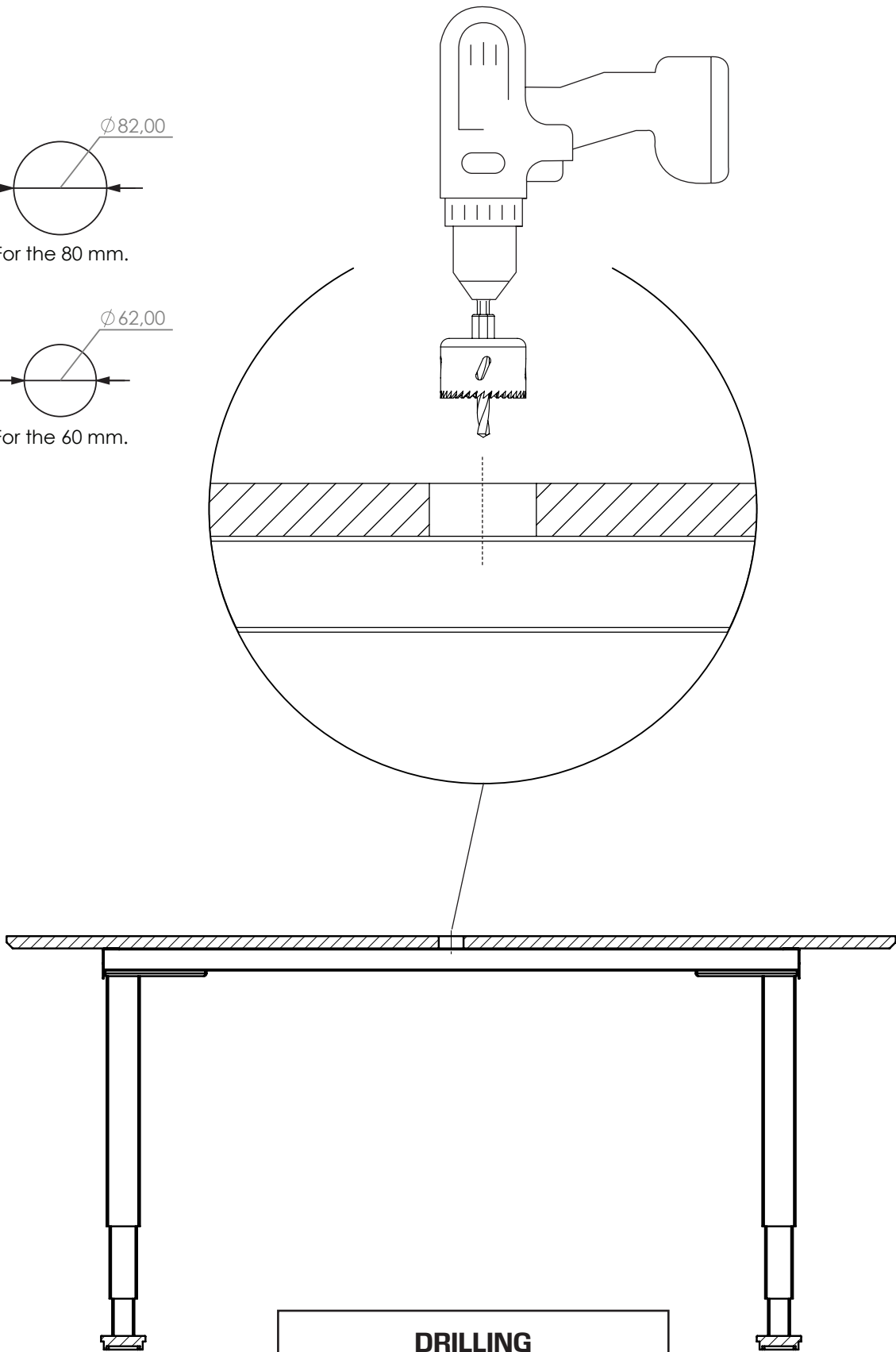
1



For the 80 mm.

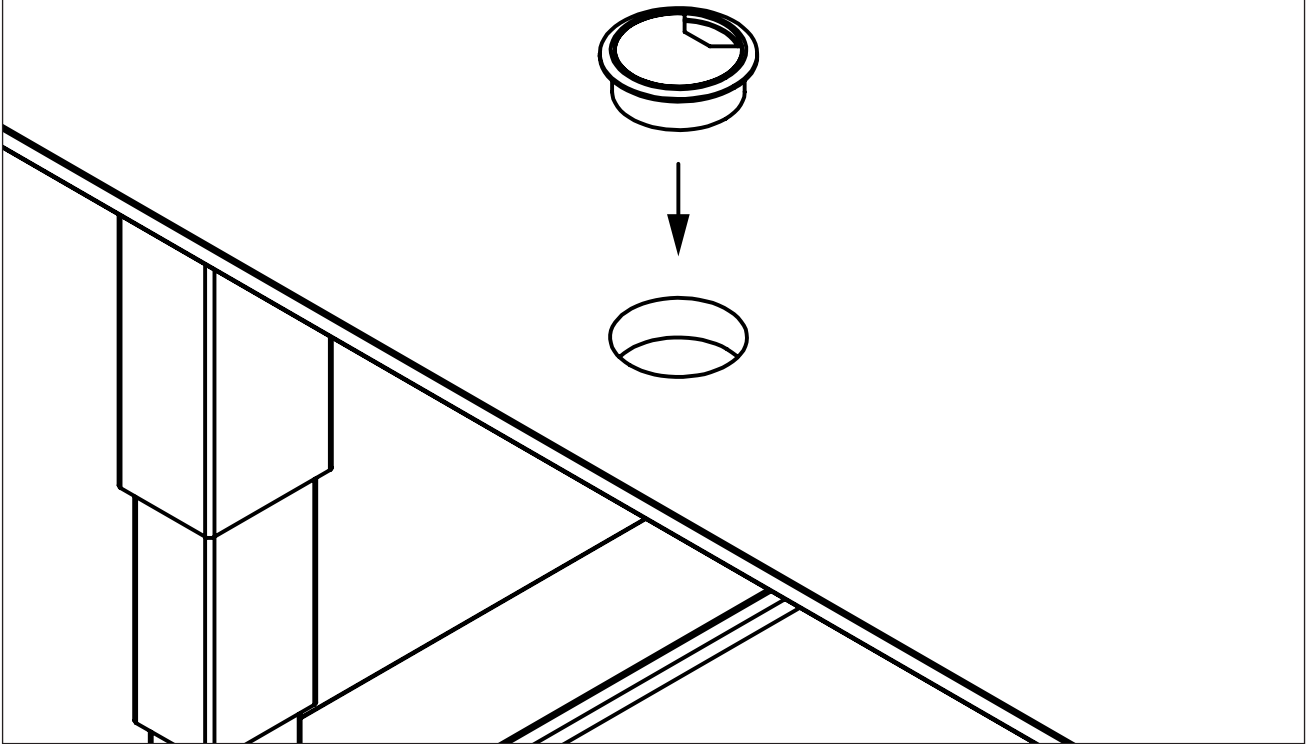


For the 60 mm.



2

Place into the hole



3

