



MONITOR ARM MODEL "HEAVY"

ADRESS

Hårup Skovvej 2
8600 Silkeborg
Danmark

CONTACT

+ 45 86 81 23 75
info@pj-production.dk

WEBSITES

www.pj-production.dk/eng
www.aptocollection.dk/eng



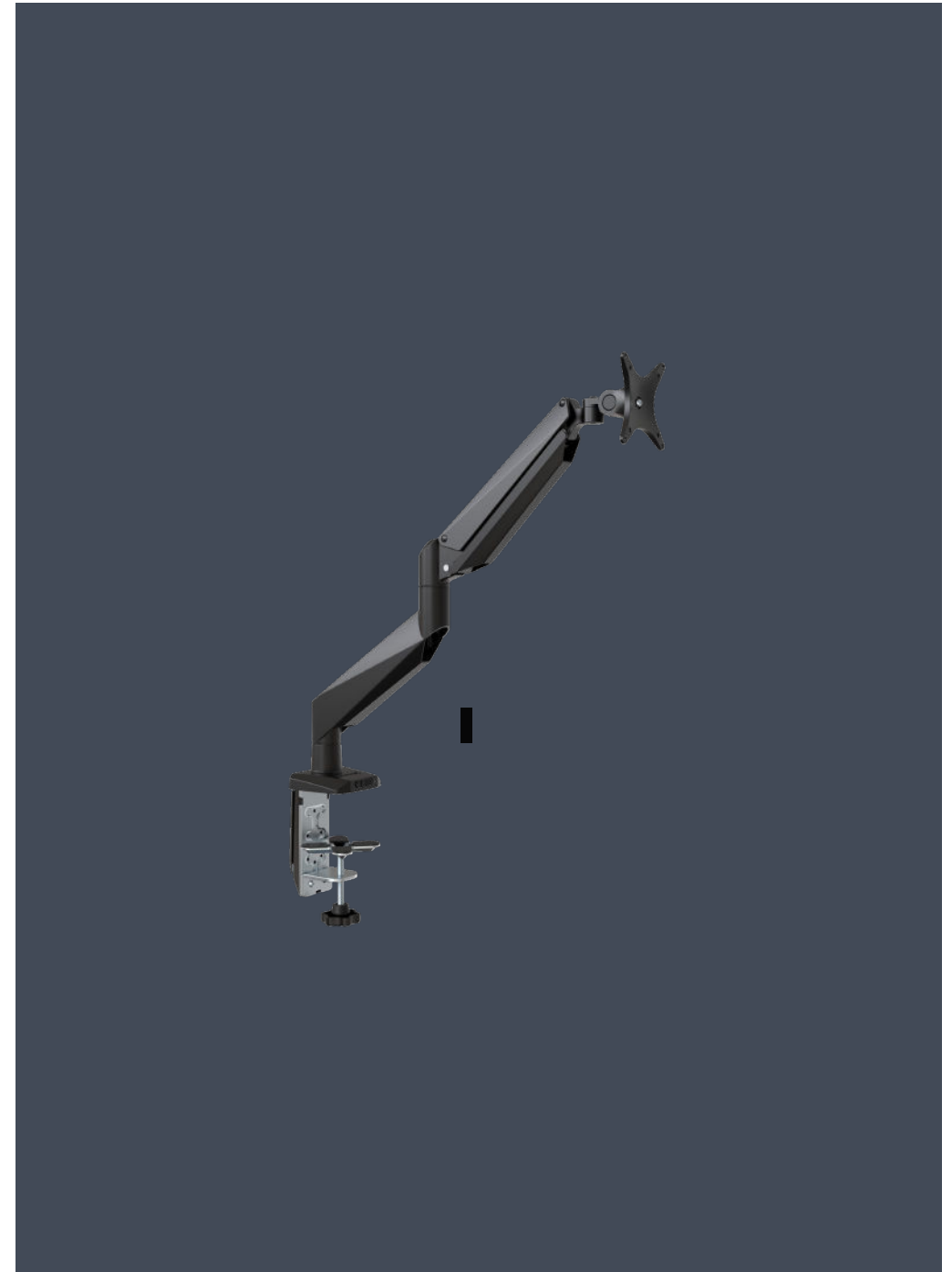
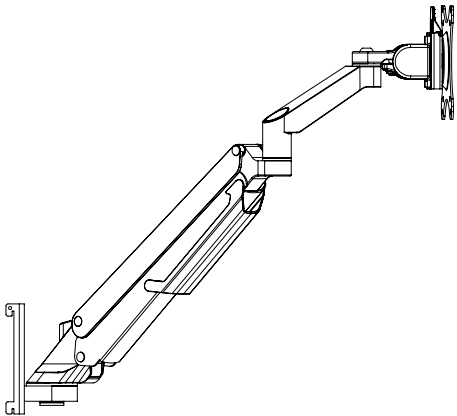
MONITOR ARM MODEL "HEAVY"

FOR ONE MONITOR

Our gas spring monitor arm ensures effortless height adjustment. This version is tailored for extra-heavy monitors, including curved monitors. The monitor arm comes with both desk clamp and through-desk options. This system not only ensures flexibility but also provides a professional and user-friendly experience.

CHARACTERISTCA :

- This product is suitable for screens ranging from 10"-34".
- A weight capacity of 9-20 kg.
- It provides an adjustment range with an angle from -90 degrees to -15 degrees.



MONITOR ARM MODEL “HEAVY”

Monitor Arm Model ‘Heavy’ for a single screen.

4408-9005

Max high: Maximum height: 534 mm., the monitor exclusive
Dimensions for the drill/hole: Mininum Ø8,5 mm. &
maximum Ø65 mm.

The monitor arm is delivered with two installation options, -
through-desk mount and desk clan, both options included as
standard

